

TM67

7" Industrial Grade, AI based high Speed Face Recognition Access Control & Attendance System with Medical Grade Temperature measurement

TM67 is a temperature detection face recognition based time attendance and access control terminal with deep learning algorithm. It uses an industrial-grade embedded device, which can quickly recognise live Faces from the local database.

It support 50,000 faces with super high recognition accuracy with face recognition speed 0.08 Sec, and the recognition accuracy rate $\geq 99\%$ (without temperature detection). It has reliable offline recognition & supports binocular liveness detection. It supports attendance recording & access control system. It adopts the full HD WDR, the SONY color camera which can easily cope with the backlit dark and bright environment.

TM67A



TM67 is a wall-mounted temperature detection face recognition all-in-one terminal with superfast temperature detection of 0.5 sec with accuracy of $\pm 0.3^{\circ}\text{C}$ from distance of 20-120cm. It is highly recommended for industry. The 600*1024 full-color high definition screen brings a more delicate display effect. It can be equipped with additional functions such as 4G, WIFI, advertising playback, complex QR code recognition, and built-in card reader.

Features :

- ▶ 7-inch display screen face recognition and access control device
- ▶ Support 50,000 face Users (Compare 20,000 faces with Masks), recognition Accuracy $\geq 99\%$
- ▶ Superfast Face recognition Speed ≤ 0.08 second, Recognition distance 0.5 m to 2 m
- ▶ Color/infrared dual-light recognition, accurate and real-time liveness judgement
- ▶ Support offline face recognition, no requirement for computer or cloud support
- ▶ Support panoramic image and partial close-up image output
- ▶ Medical Grade Multi-point Temperature measurement on the forehead
- ▶ Temperature measuring distance 20-120cm, Super fast response time ≤ 0.5 sec.
- ▶ Support K12 children's face recognition
- ▶ Supports preferred face comparison based on face tracking
- ▶ Support Weigand Input and Output
- ▶ Support black and white list and alarm output
- ▶ Support Mask detection and wearing Reminding
- ▶ Support high temperature voice alarm
- ▶ Size :263(H)*125(W)*34 mm
- ▶ Compatible with OTG HR (Attendance Management App on Cloud)

TECHNICAL DATA SHEET

Basic parameters		Coding standard	
Processor	Dual ARM Cortex-A53 @ 1Ghz	Video standard	H.264
DDR	4Gb	Code rate	1024Kbps~4Mbps
ROM	8GB (EMMC)	Video	
Display screen size	7 inch	Encoding format	H.264
Display resolution	600*1024	Video size	1280(H)*720(V),640(H)*360(V)
Display type	TN	Frame rate	25fps
Sensor	SONY Starvis 1/2.8 "progressive scan CMOS	Video setting	Exposure, gain, contrast, saturation, brightness adjustable, face exposure compensation
Minimum illumination	0.01Lux@(F1.2,AGC ON)	Video overlay	Time, points
Shutter	1/80 second to 1/10,000 second	BLC	support
Lens	M12 threaded 6mm fixed focus	Smart features	
WDR	Support	Recognition mode	Offline dynamic face recognition
Digital noise reduction	Self-regulating	Recognition target	Face
Temperature detection parameters		Recognition type	1:N
Measurement position	Forehead	Liveness detection	Support
Measurement method	Multi-point infrared thermal imaging temperature measurement	Face library	50,000 faces(mask mode: 20,000 faces)
Measurement distance	20-120cm	Recognition rate	$\geq 99\%$
Temperature response	≤ 0.5 second	Recognition speed	≤ 0.08 second
Measurement accuracy	$\pm 0.3^{\circ}\text{C}$	Recognition distance	0.3m - 2.0m
Display accuracy	0.01 $^{\circ}\text{C}$	Records capacity	100,000

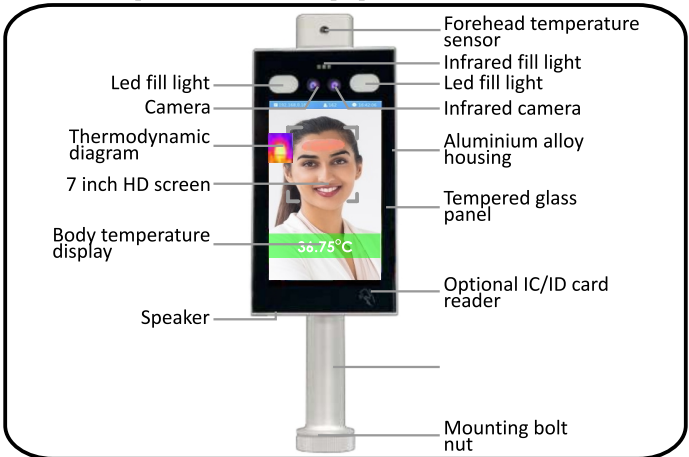
Smart features	
Face library issued	Single picture, batch picture, real-time snapshot import, card registration (optional), platform issued
Record mode	Panoramic view, partial close-up view
Management type	Blacklist, whitelist, temporary users
Output mode	Wiegand 26/34/66, relay
Trigger mode	Face trigger, Wiegand input (card optional) touch input (touch optional)
Further development	Support multi-platform (Windows, Linux, ARM), multi-language (C#.C++, java)

Network	
Supported protocol	ONVIF, TCP/IP, HTTP, FTP, 485, GB28181, Wiegand, DNS, NTP, MQTT, WEBSOCKET, SDK
General functions	Heartbeat, password protection, NTP
Interfaces	
Communication interface	1 way RJ45 10M/100M adaptive Ethernet port
Relay interface	1 way relay output
Wiegand interface	1 way Wiegand (output & input)
Others	1 way USB, Support RS485

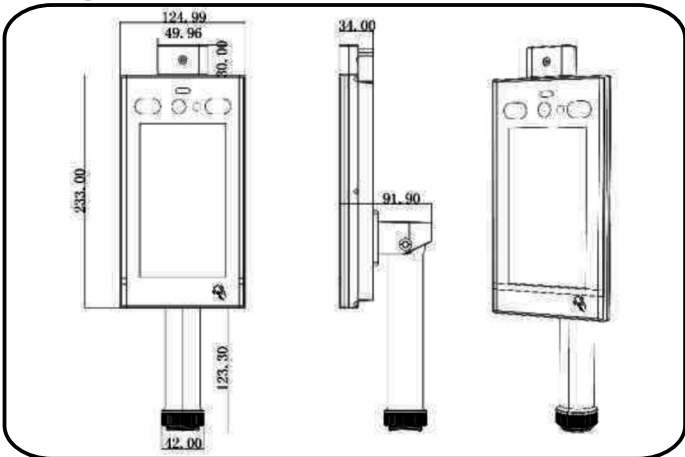
Other parameters
 Power // Environment DC 12V/2A, ≤12W // -30°~+70°, 0% - 90%

OPTIONS FOR THE MODEL		
Options	Functions	Specifications
4G	4G communication	All network
Card	Card swiping access	IC+ID
Built-in NFC	Card, mobile phone swiping pass	NFC compliant cards, equipment
WIFI	WIFI	IEEE 802.11 b/g/n
Advertisement playback	Video/photo slide show	1024*600 or pictures of same proportion
Audio and video intercom	Intercom	Two-way audio, one-way video

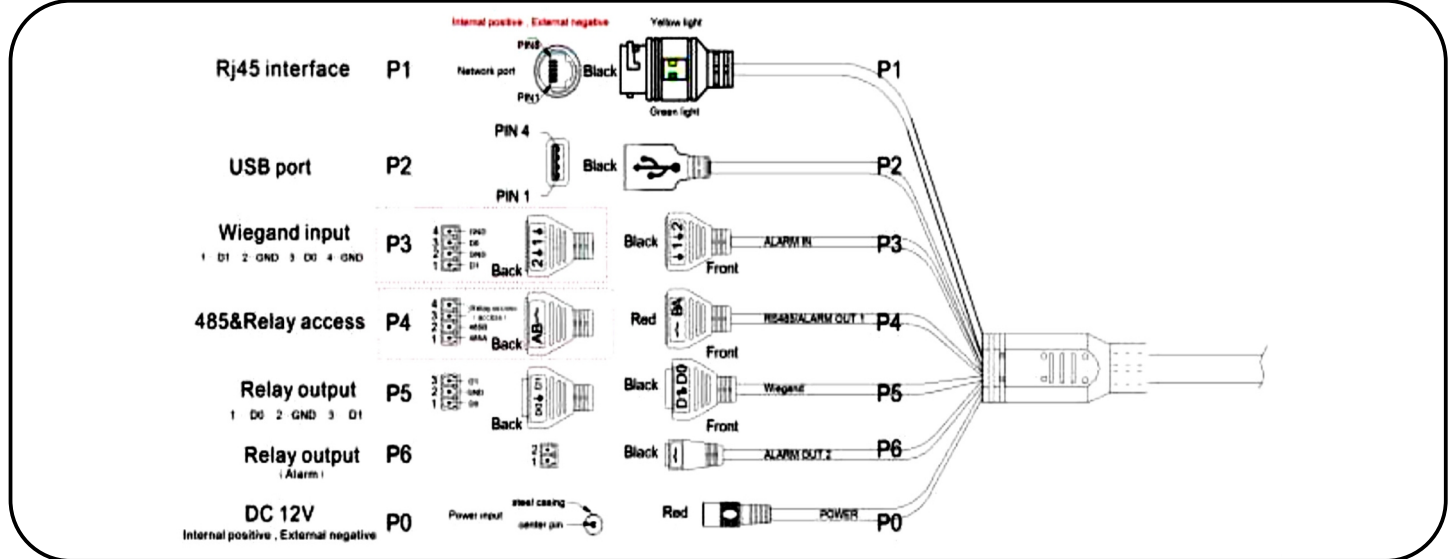
Description of appearance



Graphical data



Tail cable

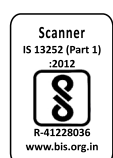


Ordering Information

- **TM 67** : 7" Wall mounting Device
- **TM 67A** : 7" Turnstile mounting Device
- **Smart Face** : Web Based Communication Server for Face & Finger Terminal, Template & Data Management with Push Technology

Options

- **OPT 01** : Built in 4G Interface
- **OPT 03** : Built in ID+IC Reader
- **OPT 06** : External Battery Back-up (2Hrs)
- **OPT 07** : Protection panel with lock & big LED for acceptance



Marketed by
FORTUNA
 IMPEX PVT LTD
 ☎ : +91 7550 670 670
 ✉ : info@fortunaindia.com
 🌐 : www.fortunaindia.com